

## 2.9T UNIC URW-375 CRANE





## LOAD CHART

### BOOM IN USE 1 1+2

Operating Radius		2.0	2.5	3.0	3.5	4.0	4.5	5.0	5.62
RATED LOAD (t)	OUTRIGGERS MAX	2.9	2.9	2.35	1.95	1.67	1.45	1.3	1.12
	OUTRIGGERS MID	2.9	2.9	2.35	1.93	1.65	1.32	1.02	0.77
	OUTRIGGERS MIN	2.9	2.9	2.3	1.62	1.22	0.9	0.75	0.62

### 1+2+3

Operating Radius		2.7	3.0	3.5	4.0	4.5	5.0	5.5	6.0	7.0	7.82
RATED LOAD (t)	OUTRIGGERS MAX	2.24	2.09	1.65	1.4	1.22	1.07	0.95	0.84	0.69	0.59
	OUTRIGGERS MID	2.24	2.06	1.65	1.39	1.21	1.04	0.92	0.77	0.47	0.3
	OUTRIGGERS MIN	2.24	2.06	1.65	1.3	1.02	0.82	0.65	0.53	0.35	0.26

### BOOM IN USE 1+2+3+4

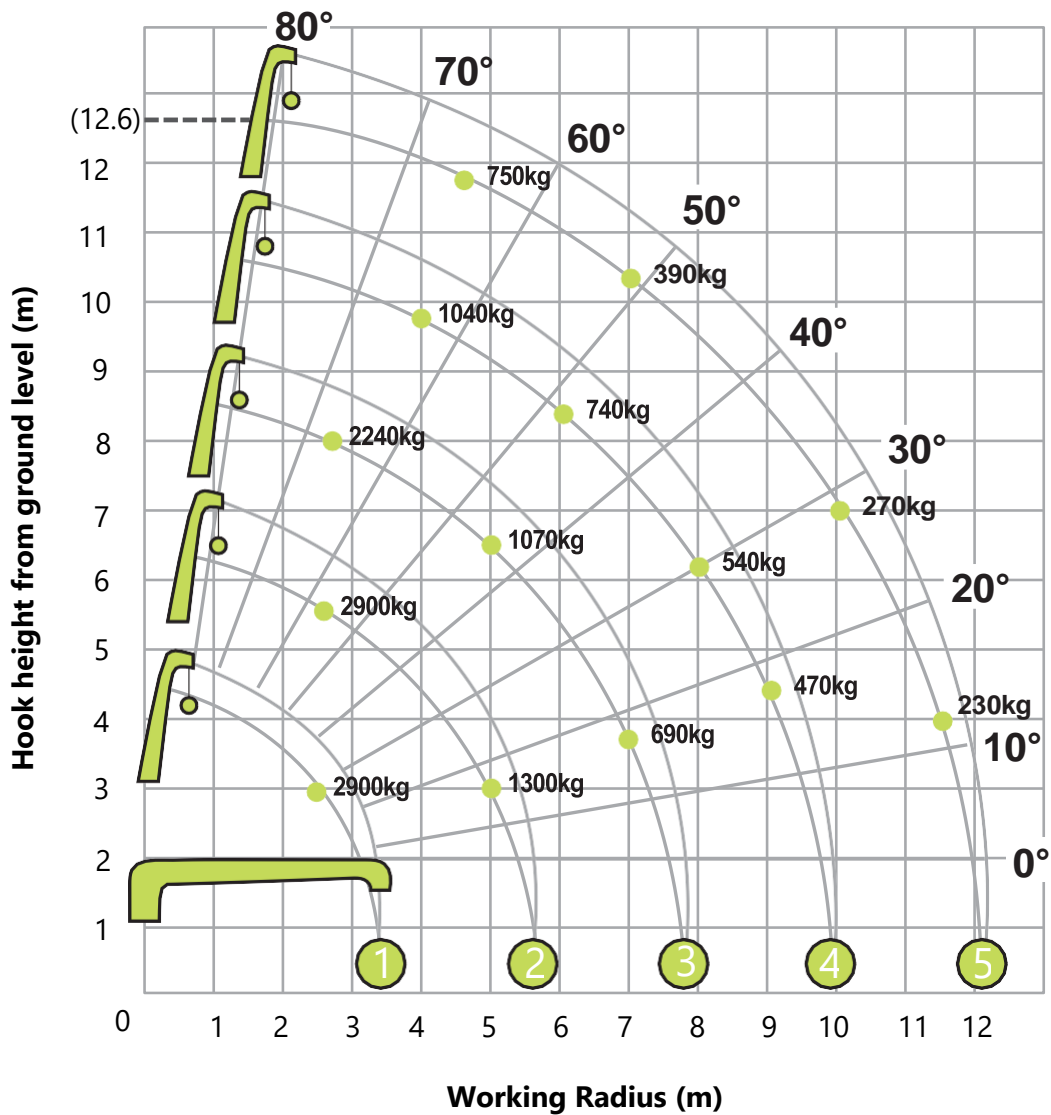
Operating Radius		4.0	4.5	5.0	6.0	7.0	8.0	9.0	9.98
RATED LOAD (t)	OUTRIGGERS MAX	1.04	0.95	0.85	0.74	0.64	0.54	0.47	0.4
	OUTRIGGERS MID	1.03	0.92	0.83	0.67	0.52	0.38	0.28	0.21
	OUTRIGGERS MIN	1.03	0.92	0.81	0.57	0.39	0.27	0.17	0.11

### BOOM IN USE 1+2+3+4+5

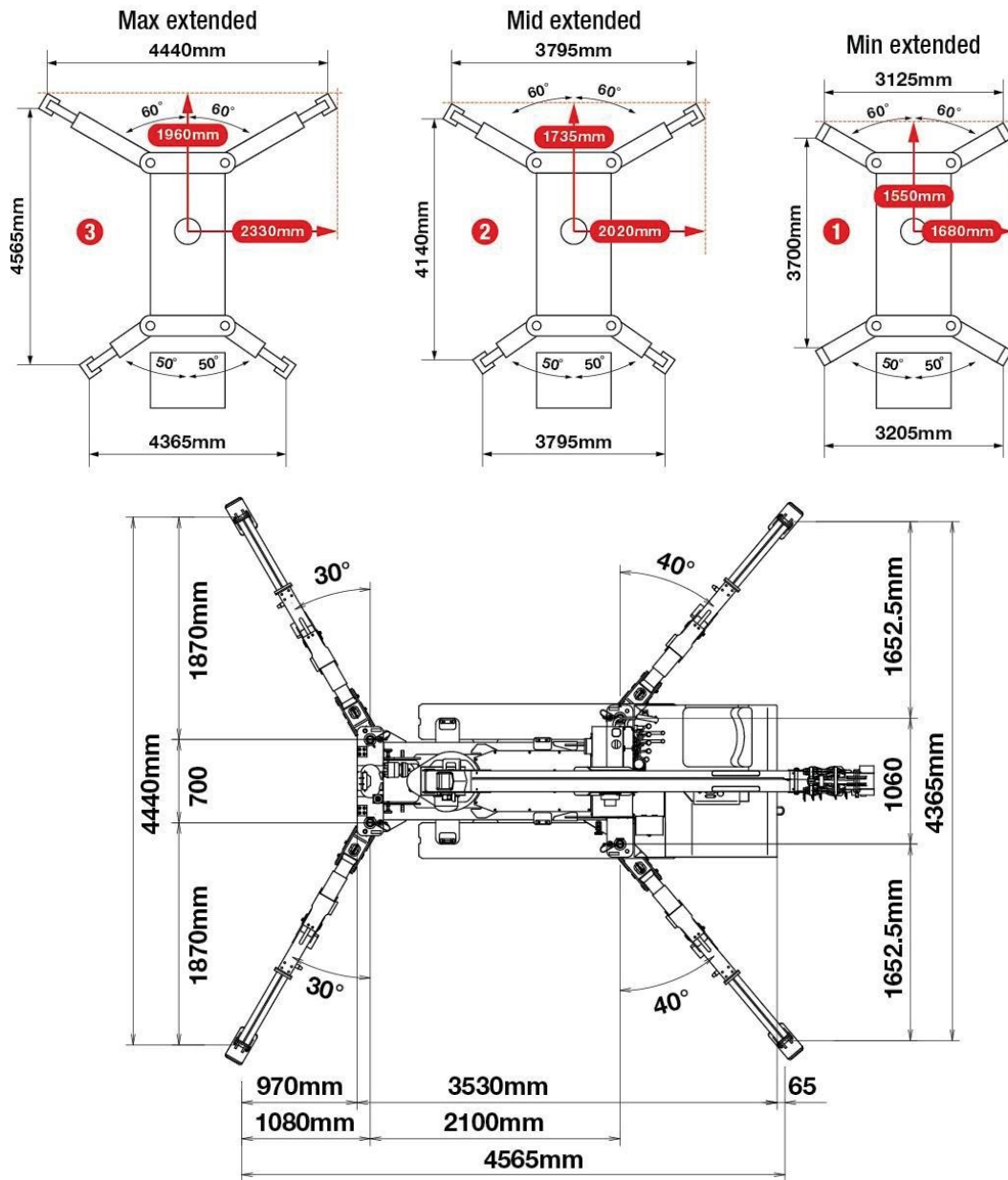
Operating Radius		4.5	5.0	6.0	7.0	8.0	9.0	10.0	11.0	12.14
RATED LOAD (t)	OUTRIGGERS MAX	0.75	0.62	0.48	0.39	0.34	0.3	0.27	0.24	0.23
	OUTRIGGERS MID	0.75	0.62	0.47	0.38	0.33	0.27	0.22	0.16	0.11
	OUTRIGGERS MIN	0.75	0.62	0.47	0.38	0.31	0.24	0.17	0.11	0.05



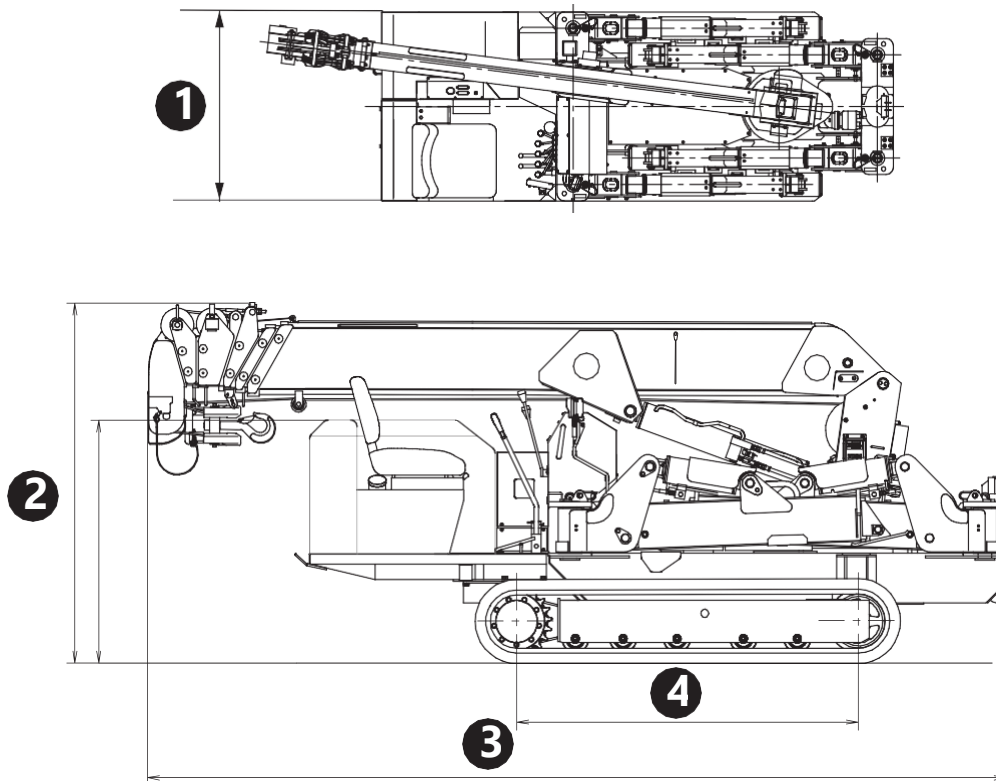
## BOOM RANGE CHART



## OUTRIGGER SPECS



## MEASUREMENTS & WEIGHT



<b>1</b>	Total Width	1,300 mm
<b>2</b>	Total Height	1,720 mm
<b>3</b>	Total Length	4,250 mm
<b>4</b>	Wheel Base	1,750 mm
	Gross Weight	3,810 kg